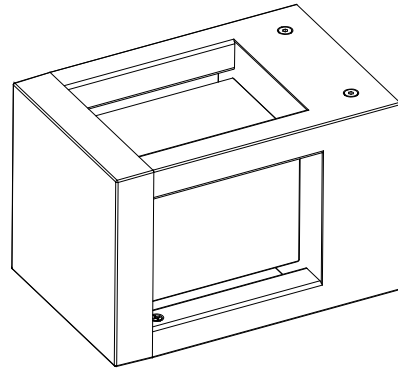


Basic performance of lighting fixtures:

IP Rating: IP65
Class: I Type
Input: AC 220-240V

Installation Statement:

1. Please read the instruction manual carefully before installation;
2. The installation of this lamp requires qualified personnel to carry out the installation;
3. To avoid the risk of electric shock, please confirm to turn off the power before installation and maintenance;
4. The installation of lighting fixtures must comply with the corresponding local laws and regulations;
5. Suitable for indoor and outdoor installation and use;
6. Keep the instruction manual for reference only.



Lamp installation:

Attention: All installation, replacement, or maintenance operations must be done by cutting off the mains power!

1. Installation requires M5 or M6 expansion bolts with the required size as shown in Figure 1 (this bolt needs to be purchased by the customer);

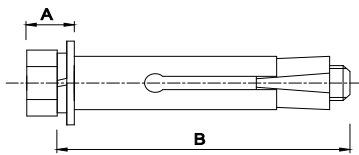


Figure 1

Choose M5 or M6 expansion bolts,

Requirement:

A (bolt head thickness+spring washer thickness+flat washer thickness) \leq 6.5mm,

B (bolt length) \geq 60mm

2. Open the packaging, take out the lamp, use an internal hexagonal wrench (3.0mm) to loosen the fastening screws on the side of the base, take out the installation chassis, drill the holes required for the expansion bolts on the installation surface as shown in Figure 2, and the depth of the holes should be greater than the length of the expansion bolts. Install the expansion bolts into the corresponding installation holes and lock the installation chassis;

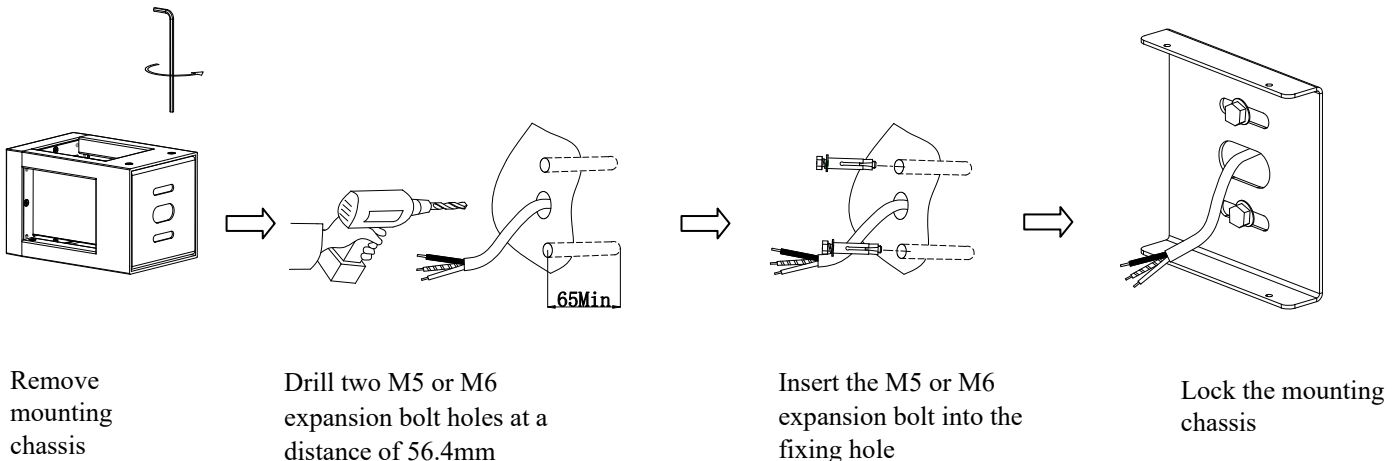
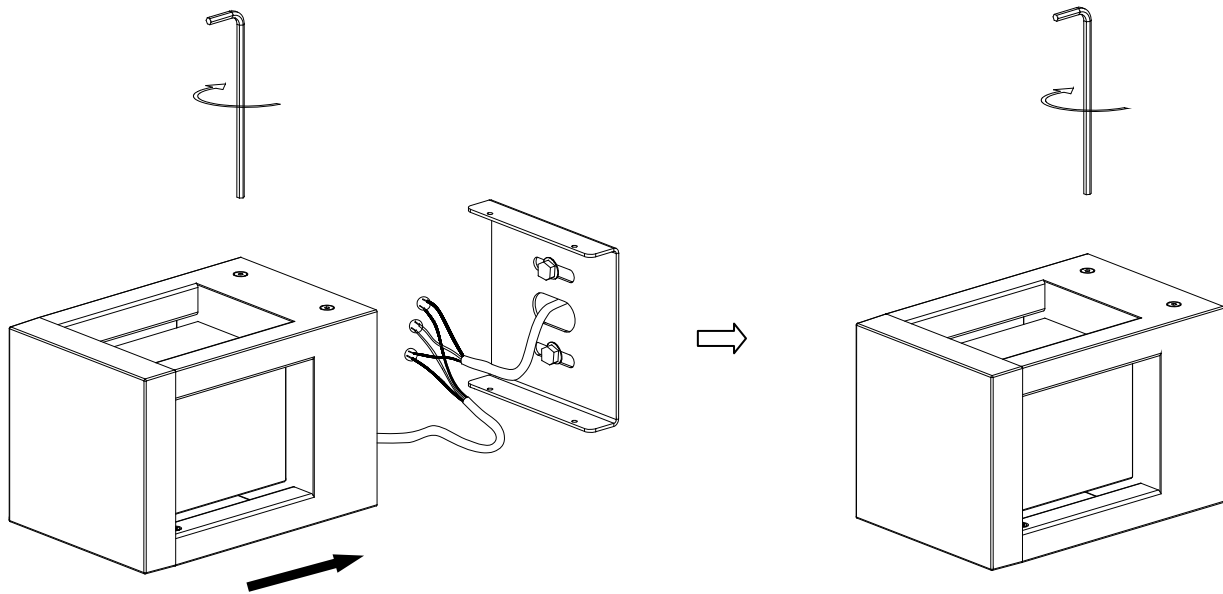


Figure 2

3. After fixing the installation chassis, connect the lamp wires to the mains, and ensure waterproof protection for the wiring. Install the lamp body base on the installation chassis, as shown in Figure 3.



After cables are connected, connect the connectors between all cables and waterproof them. Install the base in alignment with the installation chassis

The side fixing screws of the lamp base are locked and the installation is complete

Figure 3

Replacing and repairing lighting fixtures:

1. It is necessary to turn off the power first and wait for the lamp to cool down sufficiently before operating; The disassembly process is opposite to the installation sequence,
3. If the lighting fixture malfunctions, please contact the manufacturer's after-sales department as soon as possible to assist in handling it.
4. The replacement or maintenance process must be carried out by personnel who meet the installation qualifications;
5. Do not disassemble the interior of the lamp without authorization;

Notes:

1. If damage is found to the glass during installation, it must be replaced; Please contact the manufacturer's after-sales department as soon as possible to assist in handling the issue;
2. All wiring must comply with national installation standards, and all connection joints between wires must be properly connected and waterproof treated;
3. The external lead of the lamp cannot be replaced. If the lead is damaged, the lamp will be damaged. Replacing the lead must comply with CCC standards,
4. And require qualified personnel to replace and connect to avoid danger;
If the external soft cable of this lamp is damaged, the cable should be replaced and connected by the manufacturer or personnel with similar qualifications;
5. Do not disassemble the interior of the lamp without authorization;
6. The light source of this lamp is non replaceable; When the light source reaches its end of life, the entire lamp should be replaced.